

Get Blown Away **KW** KITEWING.



Product Information

The Kitewing is a hand held wing that is used with skis, snowboard, a mountainboard, skates, inline skates, inline boards and now even on water. Many say that it is a mix of kite surfing and windsurfing. Most riders learn to cruise in half an hour, yet there seems to be no limit to the tricks and amazing jumps performed by the growing number of riders around the world. Advanced riders are reaching speeds up to 100 kph or 62 mph, and making jumps 5 meters (nearly 20 feet) high and 40 meters (over 125 feet) in length over flat surfaces!

Why buy?

- The basics are easy to learn
- It is economical as one size covers several kite or windsurfing rig sizes
- It is safe to learn and use even in crowded areas
- There is no hassle with lines, and no assistance needed to launch in any weather conditions
- Rigging is simple and takes only minutes
- It is very well made and will last a lifetime
- The wing is highly refined. Years of research and development have led to a supremely engineered product.
- Challenging new moves are invented all of the time
- Control is excellent due to no lines, making extreme tricks much safer
- The wing can be used year round on a wide variety of riding surfaces
- It is fast, fun, and one of the most efficient sailing devices available anywhere

About Kitewing



Patrick Blom (FIN)

One of the real Kitewing Pioneers and certainly one of the best riders in the world.



Andreas Laurént (FIN)

A professional helicopter pilot and a guru on jumps with the Kitewing.



Patrik Pollak (SVK)

A windsurfing world champion, familiar with all forms of Kitewing riding.



Denis Kleshchnok (RUS)

Professional snowboardcrosser and successful competitor in Dirtsurfer DH, now converted to Kitewing.



Oksana Labokho (RUS)

Loves Kitewing because of its freedom and universality, living proof that the sport is suitable for girls as well.



Tom Lönnqvist (FIN)

Economist, adventurer, artist, musician and a guru with a snowboard and Kitewing.



Alexander Larsson (SWE)

Possibly the fastest guy with a wing, also 2009 WISSA world champion (handheld wing category).



David & Luc Lenoir

(Switzerland)

If anything is possible, ...or impossible on inline skates, these guys have done it!

www.allinline.ch



News from RW

Our mission at Kitewing is to always improve the riding experience. That is why we spend a lot of time testing, tearing apart, re-designing and testing again. All products are under constant development, to make the performance and the quality even better from year to year.

Except from the renewed range of wings, we are introducing a few new products, such as the Kitewing 4CE (see opposite page) and the Concept 110 ice skate (page 13).

Join the constantly growing number of Kitewing riders and "Get Blown Away"!



foldable Y-joint & EVA-gripped boom

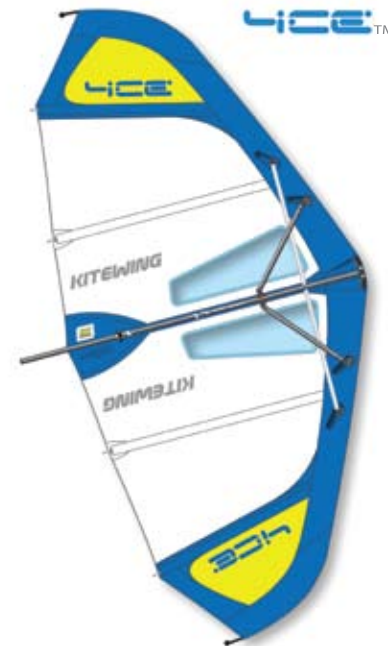


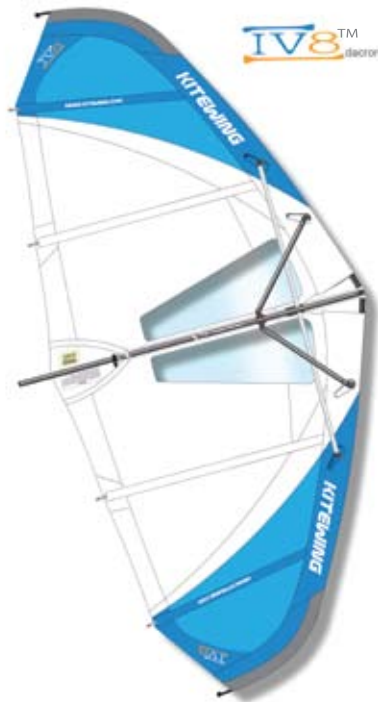
spoiler trim system



Kitewing **4CE™** "Force" (4,0m²) is the first Kitewing designed as an all around wing for juniors and for ladies who feel uncomfortable with larger wings. Wide wing tips and five battens, just as in the larger wings, make this wing the most stable wing made so far. Even in strong winds it remains well balanced.

The stability and ease of use makes this wing ideal for beginners and smaller riders but it's also fun for skilled and heavier riders in strong winds. The dacron sailcloth is resistant and care free, for maximum ease of use.





integrated rubber band system



foldable Y-joint & EVA-gripped boom



improved reinforcements



spoiler trim system

Kitewing IV8™ dacron [ai:vee:eight] gives incredible acceleration and speed with no loss in handling or control. For experienced users, this 4,8m² wing is the perfect tool to achieve high jumps, perform tricks and generate great airtime. The dacron wing is less sensitive and is quick and easy to assemble.



integrated rubber band system



foldable Y-joint & EVA-gripped boom



improved reinforcements

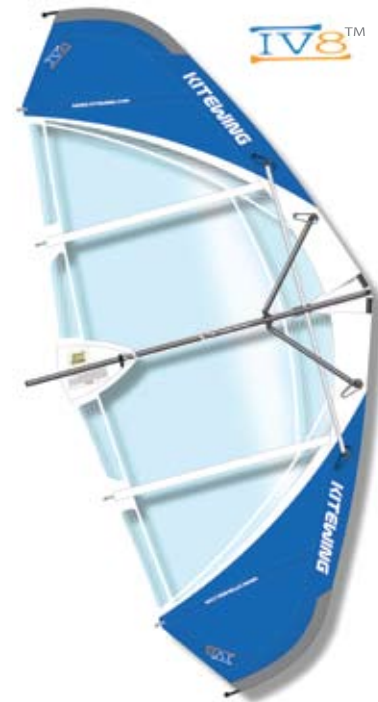


spoiler trim system



x-ply sail cloth

Kitewing IV8™ [ai:vee:eight] gives incredible acceleration and speed with no loss in handling or control. For experienced users this 4,8m² wing is the perfect tool to achieve high jumps, perform tricks and generate great airtime. The monofilm and x-ply materials are stiffer than traditional dacron material. This makes the wing more responsive compared to the dacron version of the wing.



*easy riding
aviators dream*



RAGE 55™



integrated rubber band system



foldable Y-joint & EVA-gripped boom



improved reinforcements



spoiler trim system



x-ply sail cloth

Kitewing RAGE 55™ (5,5m²) offers that little extra for heavy weight riders and for those who live in areas with less wind. RAGE 55 is designed to work well in the lower wind registers and to boost airtime to the maximum. It uses the same frame as the IV8, which means it is easy to upgrade your IV8 to a RAGE 55.

fast in furrows



integrated rubber band system



foldable Y-joint & EVA-gripped boom



improved reinforcements



spoiler trim system



x-ply sail cloth



Carbon composite front tubes and fiberglass reinforced x-tube

The RAGE 55+™ (5,5m²) is for those who like a wing with quick handling and increased power. This wing includes 30% carbon composite front tubes combined with a fiberglass reinforced cross tube. The result is a more powerful and durable wing that is used by all of our team riders.

raging mad



RAGE 55+™

WAVE WARRIOR™



KW floaters



new y-joint & EVA-gripped boom



spoiler trim system



NCV wingtex, custom made super light sail cloth



Carbon composite front tubes, available on RAGE 55+ and Wave Warrior only

After endless hours of test riding and over three years of product development we have launched a product for water riding. The Wave Warrior is a Kitewing, which is used on water with a board similar to surfing or kiteboarding.



Wave Warrior Board

The Kitewing philosophy; that you should be able to ride all kinds of equipment with the wing, also goes for the Wave Warrior. You can use a surfboard or a large kite board. However, to get the best out of water riding we have developed the Wave Warrior board. It has got the perfect balance for riding with a Wave Warrior wing, and it has great pop for high jumps.

Size:

Length:	197 cm
Width:	55,5 cm
Thickness:	7,5 cm
Fin Setup:	Thruster with FCS plugs

The Kitewing Bull-It Board

Looking for earlier planing and high speeds, the Bull-It board will give you that. It's a good choice for the heavier Wave Warrior rider as well. This board, with its lower rocker and wide shape, is inspired by the formula boards in windsurfing. The Bull-It is only 200 cm, which will still make it surprisingly quick and easy to maneuver. Its higher volume will also make it stable and suitable as an *entry-level* board.

Size:

Length:	200 cm
Width:	80 cm
Thickness:	10, 5 cm
Fin Setup:	US-Box + 2x fcs plugs



accessories

The Kitewing Leash is designed to stop the wing flying off out of control if you let go. Always use the leash in crowded areas and in high wind conditions. Attach the leash on the boom at the front part of the y-piece and the cuff around your hand.



The Kitewing "V" Harness Line has been designed by our best riders to meet their needs. The double-sided "V" line stabilizes the wing when hooked in. The V concept makes it possible to jump with one hand or no hands on the wing. The racers appreciate the possibility to use the leeward side of the lines for more power in light winds. The V-line is easily adjustable for different lengths; the maximum length of the line is 103cm/ 40,5" with adjustability of 10cm/ 3,9".

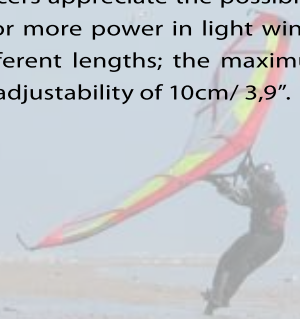


The Kitewing Travel Bag is better suited for travel than the standard wingbags, as it is padded for added protection of the wing. Also the measures have been extended, to fit some spareparts, harness or whatever smaller items usually carried with the wing. The length is suitable for all wings, also the Wave Warrior.



Concept 110 ice skate

This 600mm long, 140mm high skate is specially designed for kitewing riding on ice. This skate has been developed by the 2009 Kitewing world champion Alex Larsson for ultimate performance with a Kitewing on ice. The R 27m blade is made of stainless chrome steel with an aluminium profile base, fitted with a quick adjust binding for alpine or telemark ski boots.



	4CE "force"	IV8 & IV8 dacron	Rage 55	Rage 55+	Wave Warrior
Size	4,0 m2	4,8 m2	5,5 m2	5,5 m2	7,5 m2
Cloth	Dacron	Monofilm or Dacron	Monofilm	Monofilm	Wingtex
Wingspan	3,3m	3,9 m	4,0 m	4,0 m	4,76 m
Weight	6,0 kg	6,5 kg	6,8 kg	7,0 kg	8,5 kg
Transp. Length	175 cm	195 cm	195 cm	195 cm	228 cm
Fron Tubes	Exel fiberglass tubes	Exel fiberglass tubes	Exel fiberglass tubes	Exel carbon composite tubes	Exel carbon composite tubes
Boom	EVA gripped AL 6063 tube	EVA gripped AL 6063 tube	EVA gripped AL 6063 tube	EVA gripped AL 6063 tube	EVA gripped AL 6063 tube with extensions
X-tube	AL 6063 tube	AL 6063 tube	AL 6063 tube	AL 6063 tube with fiberglass reinf.	AL 6074 adjustable tube
Battens	5 pcs AL7075 T6	5 pcs AL7075 T6	5 pcs AL7075 T6	5 pcs AL7075 T6	7 pcs carbon/fibergl.
Speed/Accel.	***/**	*****/****	*****/****	*****/****	*****/****
Maneuverability	*****	*****	***	***	**
Airtime	**	***	****	*****	*****
Transportability	****	***	***	***	**

product specifications



Photo: © pasisalminen.com

Photo: © pasisalminen.com

Photo: © pasisalminen.com



Your Authorized Kitewing Dealer:

OUTDOORPOINT.com Alaportti 1 B, FI-02210 ESPOO info@outdoorpoint.com tel. +358.(0)40.5595 950



www.kitewing.com

Kitewing Sports Ltd.
Olarinluoma 15
FIN-02200 Espoo
Finland

Tel. +358- 9-4551716

Fax +358-9-4551717

e.mail:info@kitewing.com

www.kitewing.com